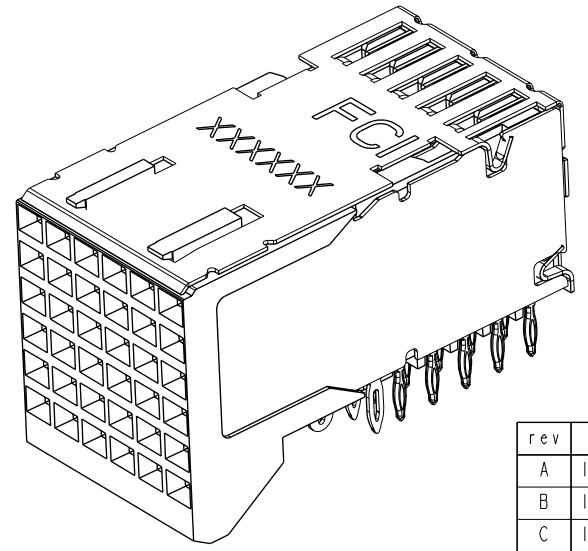
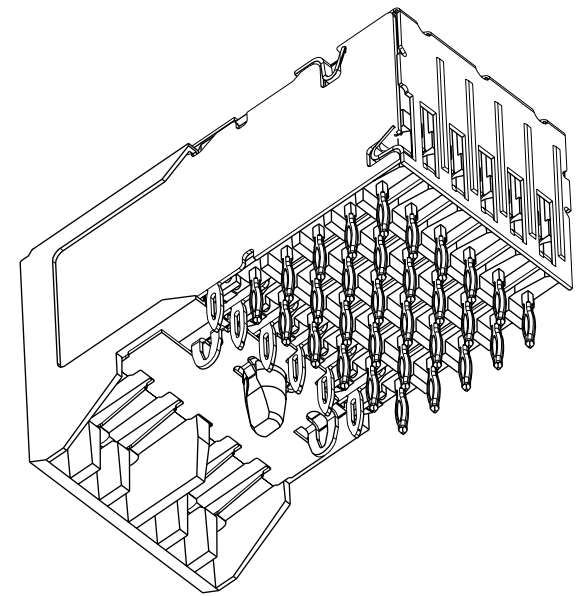
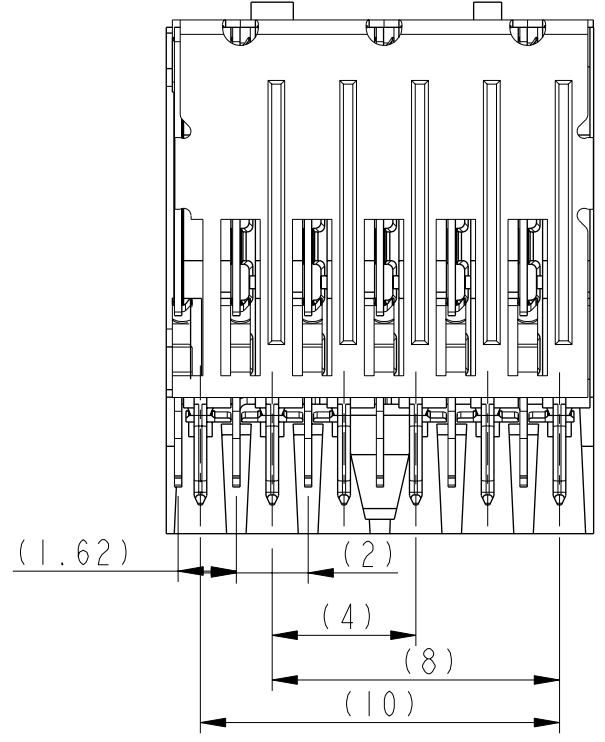
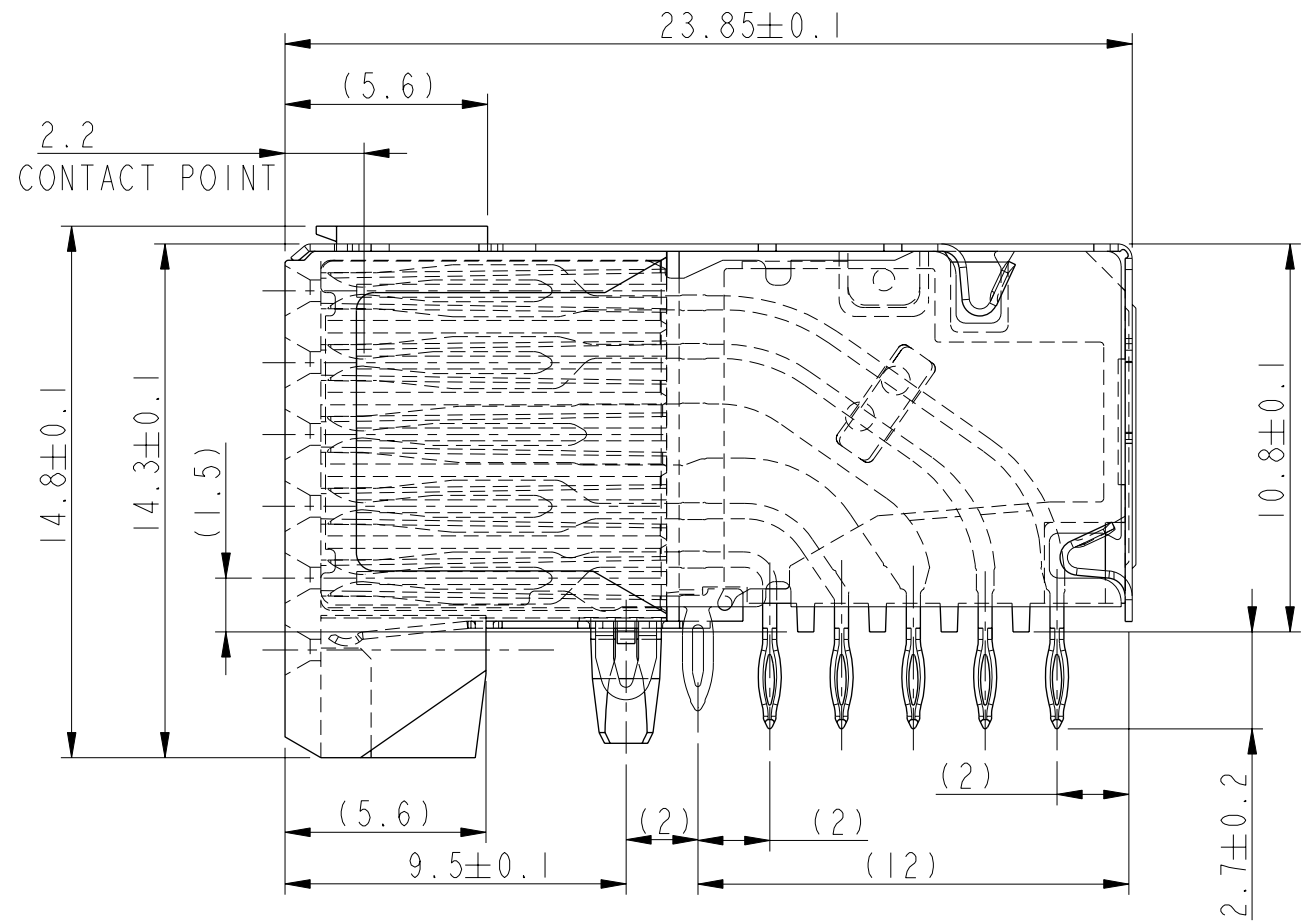
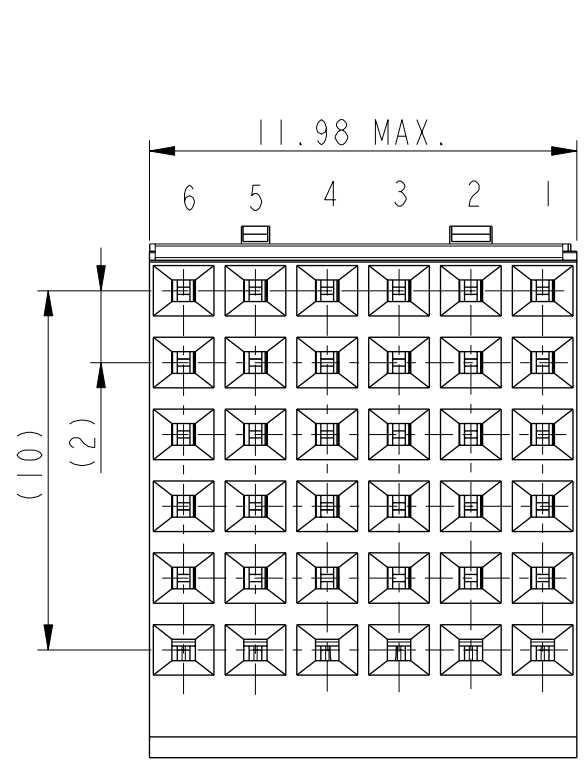


Product Number	Plating Performance Level	Application
52062-102	TELCORDIA CO	STANDARD
52062-102LF	TELCORDIA CO	LEAD FREE
52062-302	CUSTOMER SPECIAL	STANDARD
52062-302LF	CUSTOMER SPECIAL	LEAD FREE

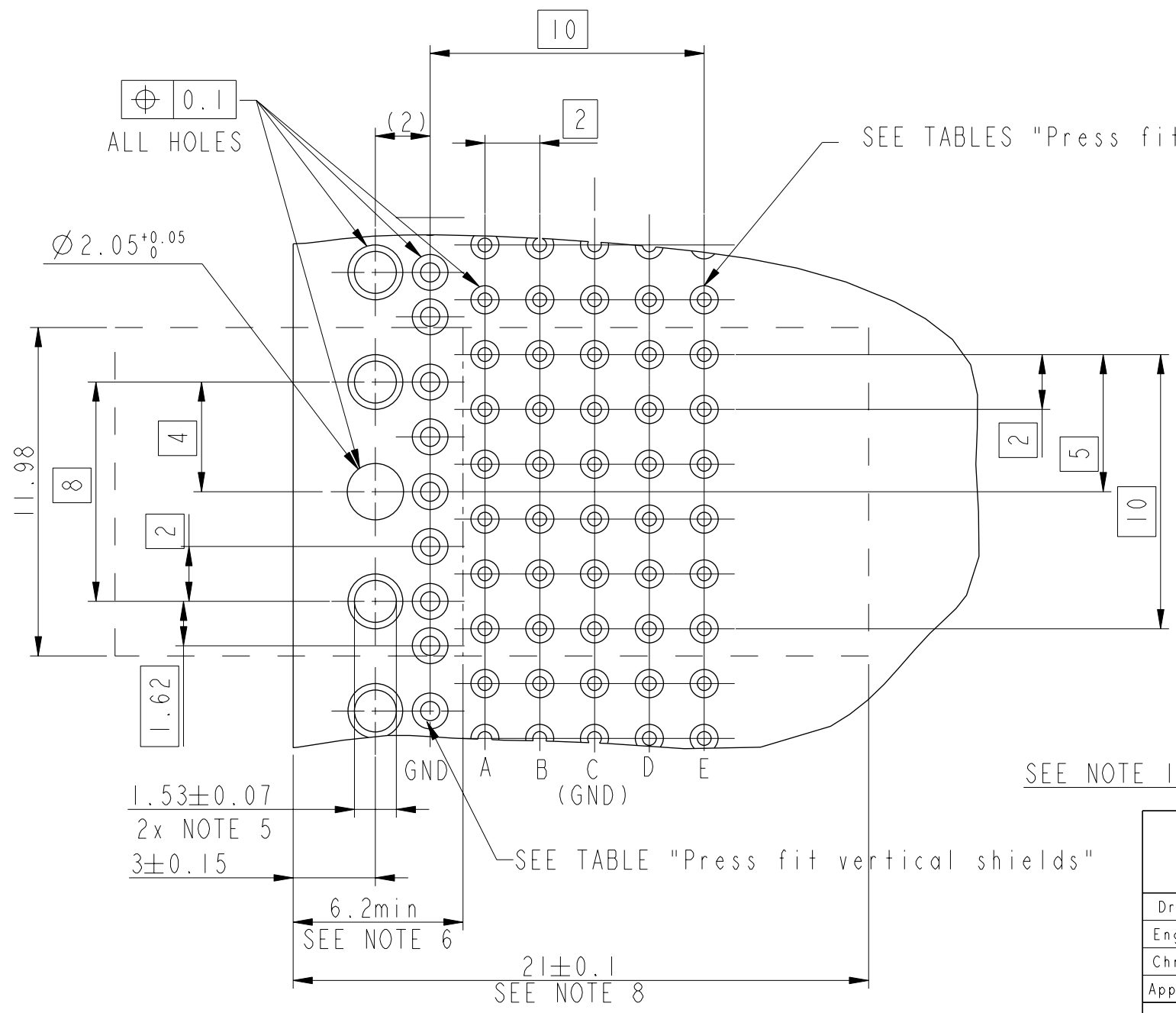


rev	ecn no	dr	date
A	103-0062	BKP	2003-10-30
B	104-0008	BKP	2004-02-06
C	105-0164	AB	2005-09-19
D	106-0107	AB	2006-07-18
E	V07-0437	AB	2007-08-10
-	-	-	-
-	-	-	-

www.fciconnect.com		surface - <input checked="" type="checkbox"/> ISO 1302	tolerance std <input checked="" type="checkbox"/> ISO 1101 ISO 406	projection	MM
TOLERANCES UNLESS OTHERWISE SPECIFIED					
Dr	P JAYADEEP	2003-10-30	ANGULAR	0.X ±0.3	size A3
Eng	BIJU K PAUL	2003-10-30	LINEAR	0.XX ±0.1	Scale 5:1
Chr	BIJU K PAUL	2003-10-30	0° ±2°	0.XXX ±0.05	ECN -
Appr	BIJU K PAUL	2003-10-30	Product family	METRAL 4000	Spec ref -
FCI			title 5x6 Receptacle		Rev. E
Signal Assembly			dwg no 52062C		
catalog no			52062-X02--	CUSTOMER COPY	sheet 1 of 3

Copyright FCI.

	Signal PTH Details			Vertical Shield PTH Details	
	SnPb Finish	Sn Finish	Cu Finish	SnPb Finish	Sn Finish
Drilled Hole	0.58 - 0.62 mm	0.58 - 0.62 mm	0.58 - 0.62 mm	0.81 - 0.86 mm	0.81 - 0.86 mm
Copper Plating	25 - 50 $\mu$ m	25 - 50 $\mu$ m	25 - 50 $\mu$ m	25 $\mu$ m MIN	25 $\mu$ m MIN
SnPb Plating	5 - 15 $\mu$ m	-----	-----	5 - 15 $\mu$ m	-----
Sn Plating	-----	0.8 - 1.2 $\mu$ m	-----	-----	0.8 - 1.2 $\mu$ m
Finished Hole Dia	0.45 - 0.55 mm	0.46 - 0.55 mm	0.48 - 0.57 mm	0.65 - 0.80 mm	0.65 - 0.80 mm

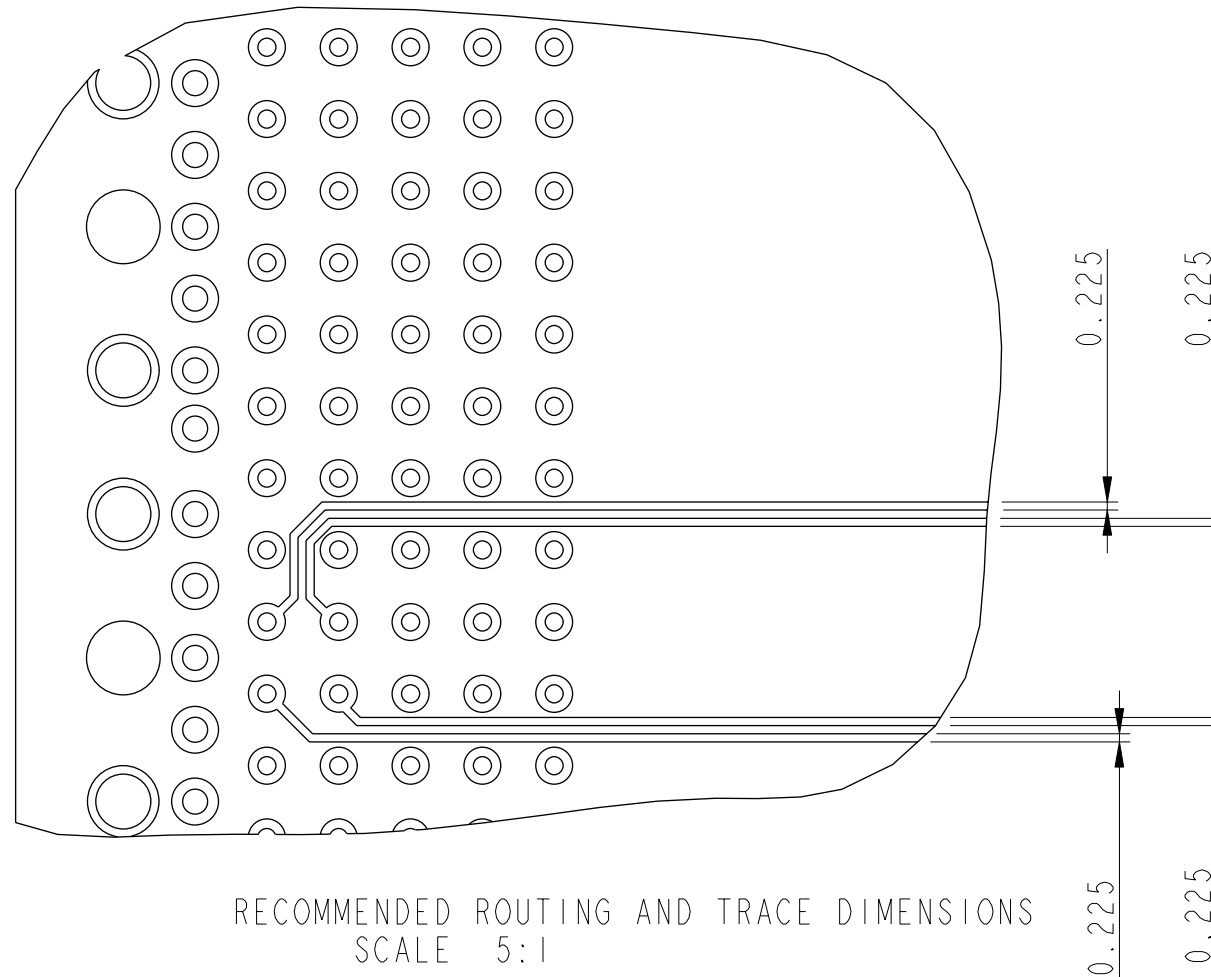


RECOMMENDED PCB HOLE PATTERN - COMPONENT SIDE

www.fciconnect.com			surface - <input checked="" type="checkbox"/> ISO 1302	tolerance std ISO 1101 ISO 406	projection	MM
TOLERANCES UNLESS OTHERWISE SPECIFIED						
Dr	P JAYADEEP	2003-10-30	ANGULAR	LINEAR	0.X	±0.3
Eng	BIJU K PAUL	2003-10-30			0.XX	±0.1
Chr	BIJU K PAUL	2003-10-30			0.XXX	±0.05
Appr	BIJU K PAUL	2003-10-30	Product family METRAL 4000		Spec ref -	
title		5x6 Receptacle			Rev.	
Signal Assembly		52062C			E	
catalog no		52062-X02--		CUSTOMER COPY		sheet 2 of 3

Copyright FCI. FCI

Product Number  
See Sheet No. 1



NOTES:

1. BODY MATERIAL: LIQUID CRYSTAL POLYMER  
30% GLASS FILLED  
FLAME RETARDANT ACC. UL 94-V0
2. METAL PARTS: COPPER ALLOY
3. PLATING ON PRESS FIT AREA  
52062-X02 IS SnPb.  
52062-X02LF IS Sn
4. INDICATED HOLE IS UNPLATED.
5. 1.53 mm DIA HOLES (2) AT 8.00 CENTERS  
ARE FOR GROUND
6. AVOID TRACES ON TOP OF BOARD DUE TO  
EXPOSED GROUND SHIELD.
7. UNDERPLATING FOR SHIELDS AND SIGNAL  
CONTACTS IS 1.3µm Ni MINIMUM.
8. COMPONENT KEEP OUT ZONE FOR PRESS BLOCK.
9. PRODUCT MARKING: DATE AND LOT CODE.
10. SEE GS-20-017 FOR APPLICATION TO PCB.
11. PCB THICKNESS 2.5 TO 3.4 mm
12. SEE PRODUCT SPECIFICATION GS-12-184 FOR  
PRODUCT PERFORMANCE CHARACTERISTICS.
13. FOR LEAD FREE PART NUMBERS ADD "LF" SUFFIX
14. THE PRODUCT (LF) MEETS EUROPEAN UNION  
DIRECTIVES AND OTHER COUNTRY REGULATIONS  
AS DESCRIBED IN GS-22-008

www.fciconnect.com			surface - <input checked="" type="checkbox"/> ISO 1302	tolerance std ISO 1101 ISO 406	projection 	MM 			
			TOLERANCES UNLESS OTHERWISE SPECIFIED						
Dr	P JAYADEEP	2003-10-30	ANGULAR 0° ±2°	LINEAR	0.X	±0.3	size A3	Scale 5:1	
Eng	BIJU K PAUL	2003-10-30			0.XX	±0.1			
Chr	BIJU K PAUL	2003-10-30			0.XXX	±0.05	ECN	-	
Appr	BIJU K PAUL	2003-10-30	Product family		METRAL 4000	Spec ref	-		
		title			5x6 Receptacle		dwg no	52062C	Rev.
		Signal Assembly							E
		catalog no			52062-X02--		CUSTOMER COPY	sheet 3 of 3	

Copyright FCI. FCI